

# 2171, 2163, 2171 EPA, 2163 EPA

**Spare parts**

**Ersatzteile**

**Pièces détachées**

**Reserve onderdelen**

**Repuestos**

**Reservdelar**

Replaces

Ersetzt

Remplace

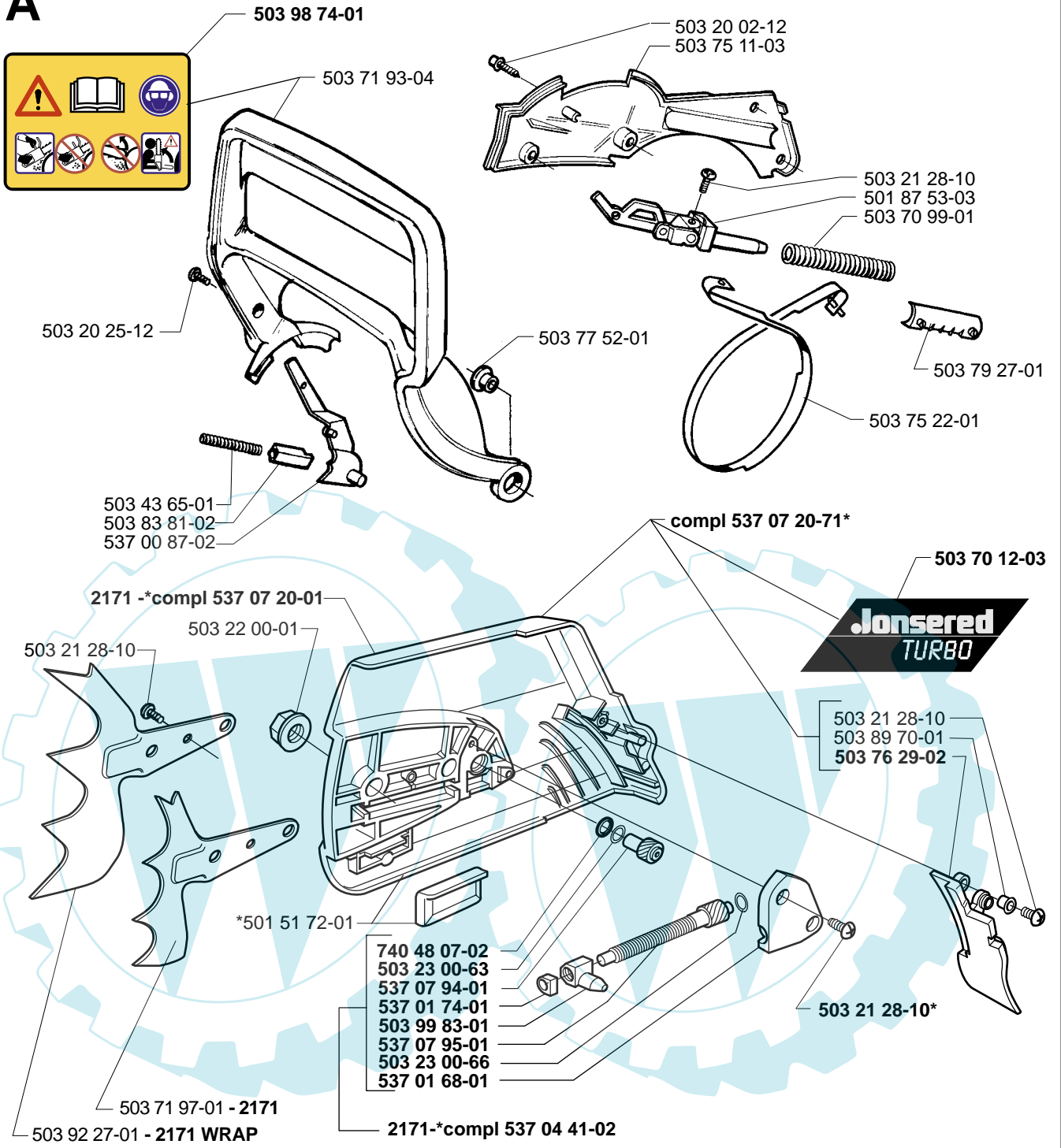
Vervangt

Reemplaza

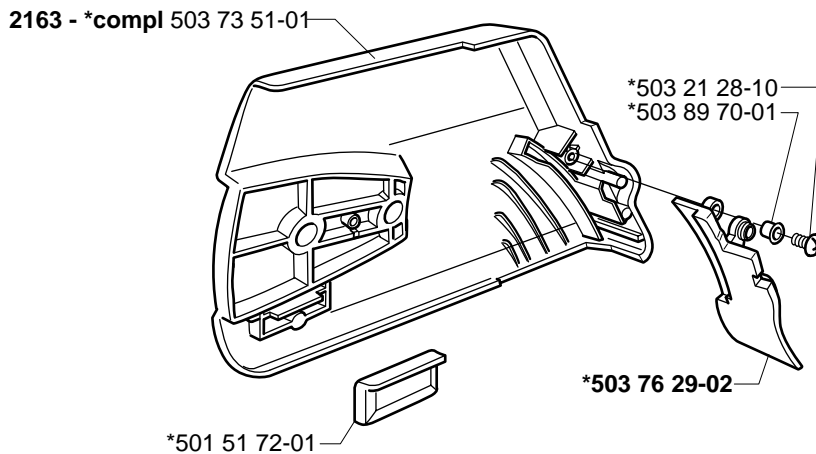
Ersätter

106 24 45-63

**A**

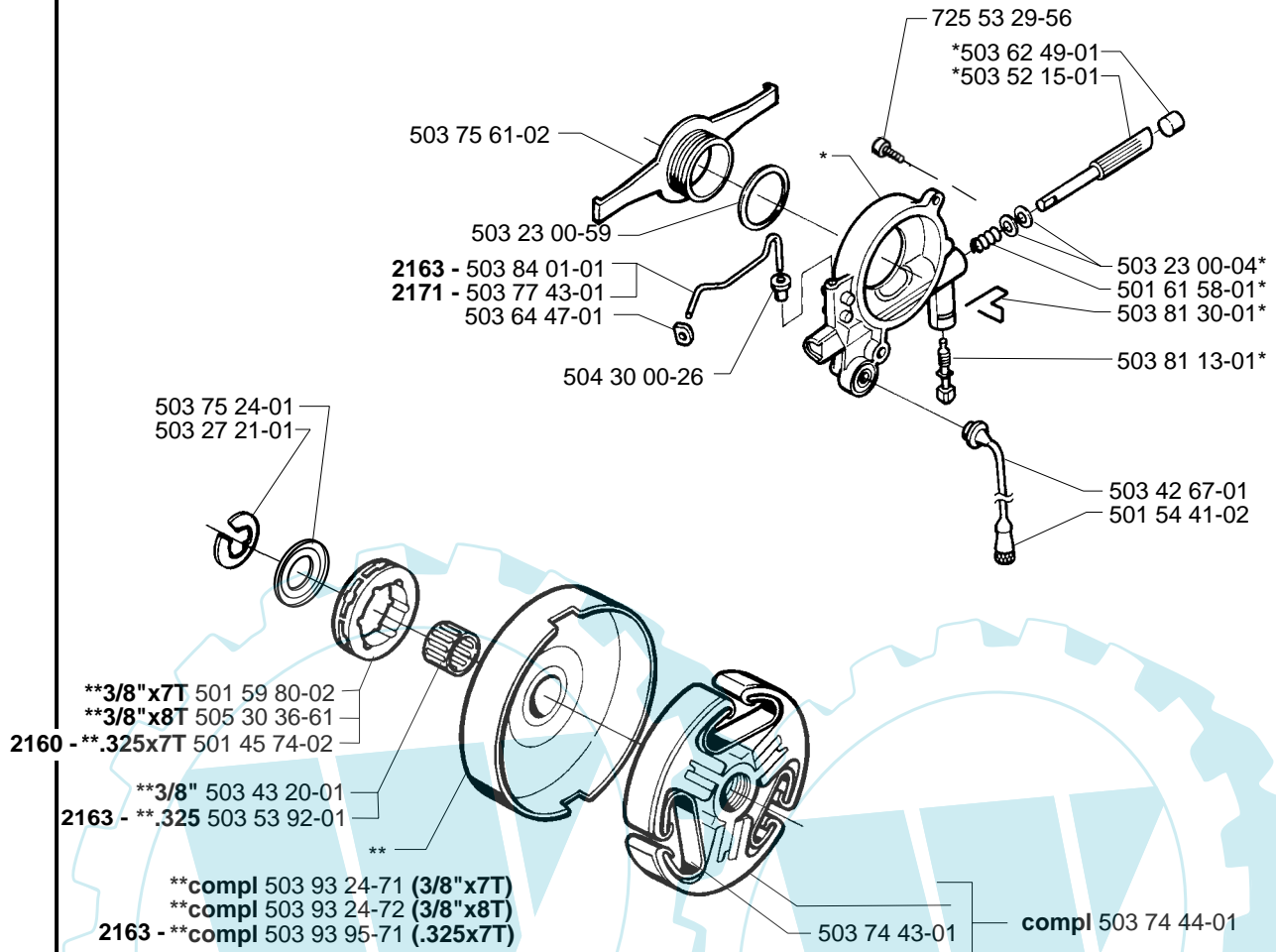


**B**



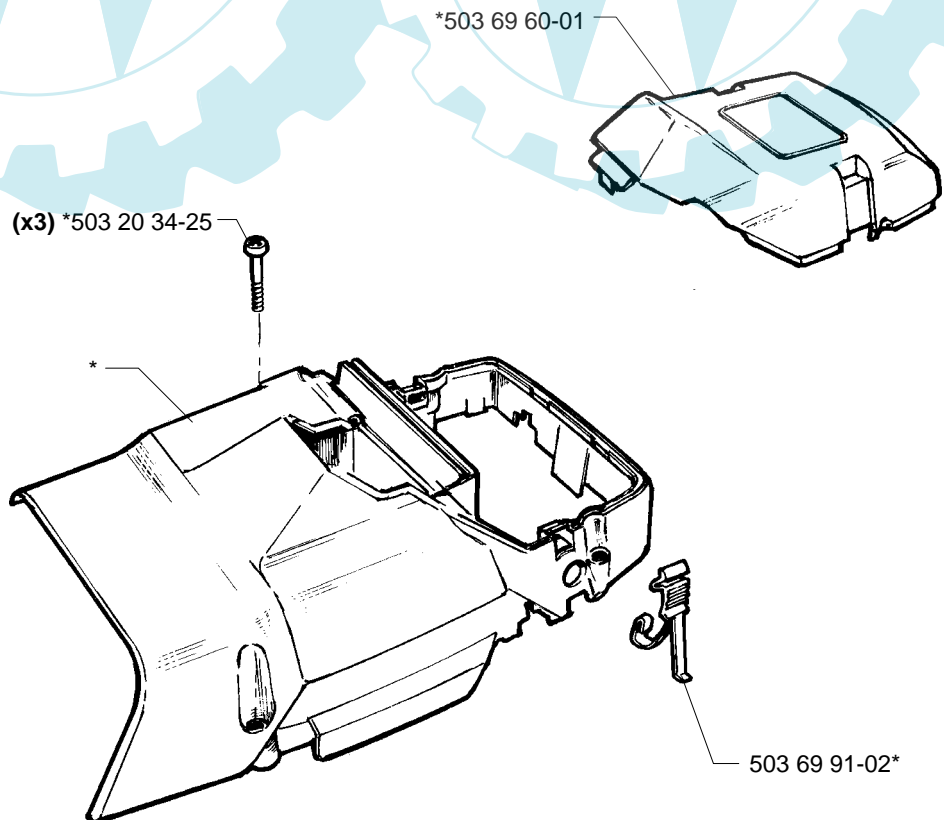
**C**

\*compl 503 52 13-01

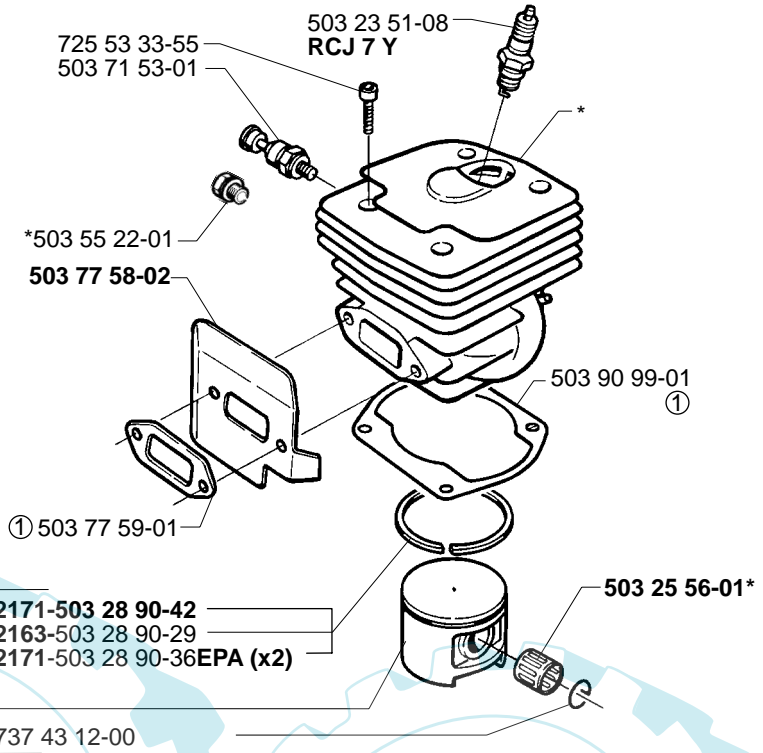


**D**

\*compl 503 70 08-06

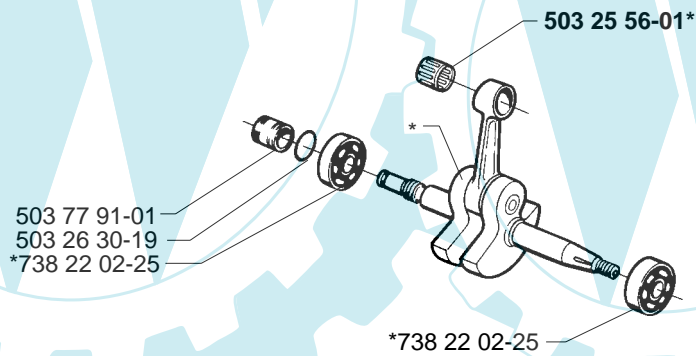


**E** \*compl 503 62 64-73 - 2171  
 \*compl 503 96 52-71 - 2163  
 \*compl 503 93 93-72 -2171 EPA

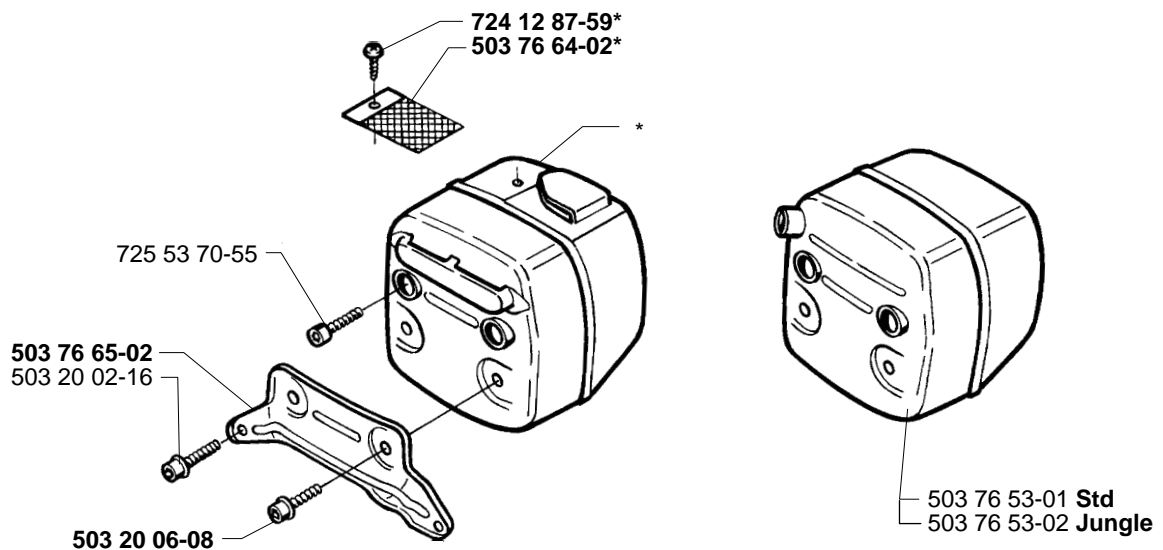


\*compl 503 69 12-71 - 2171  
 \*compl 503 69 14-71 - 2163  
 \*compl 503 93 92-71 - 2171 EPA

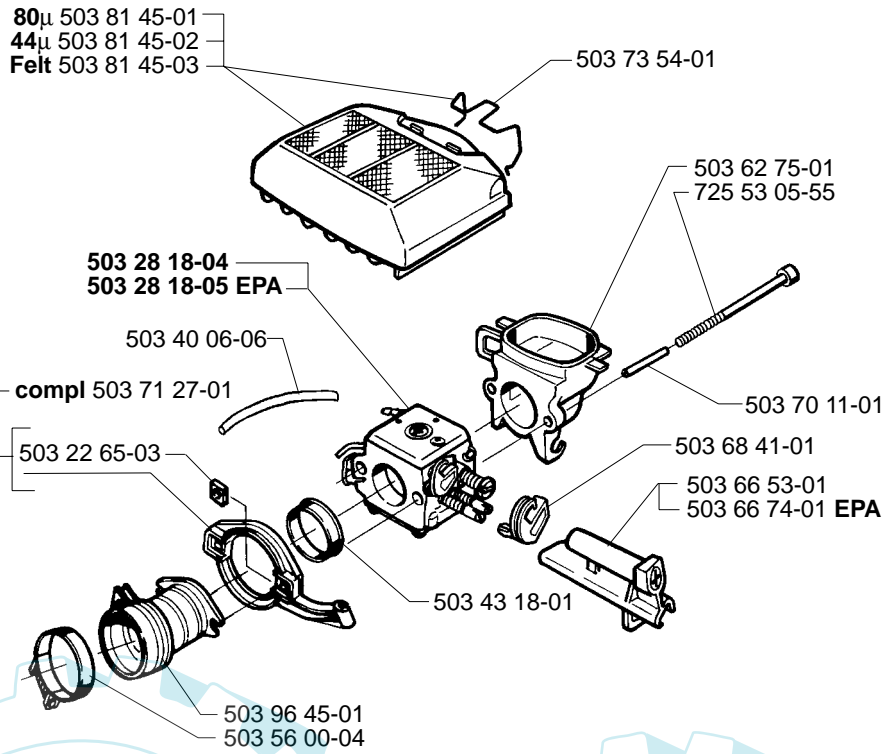
**F** \*compl 503 72 91-77



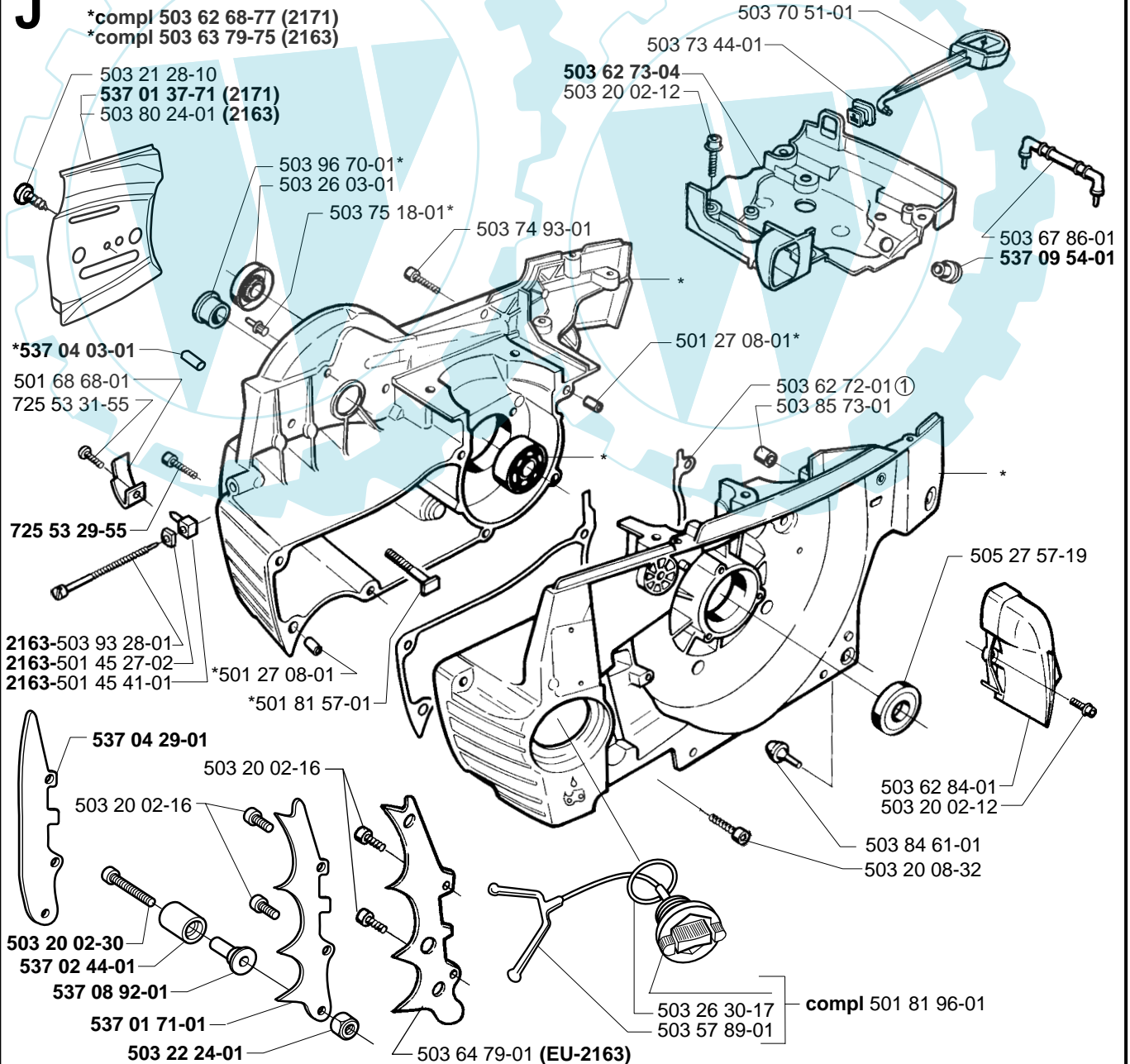
**G** compl 503 76 52-01 FG  
 \*compl 503 76 54-02 DF



**H**

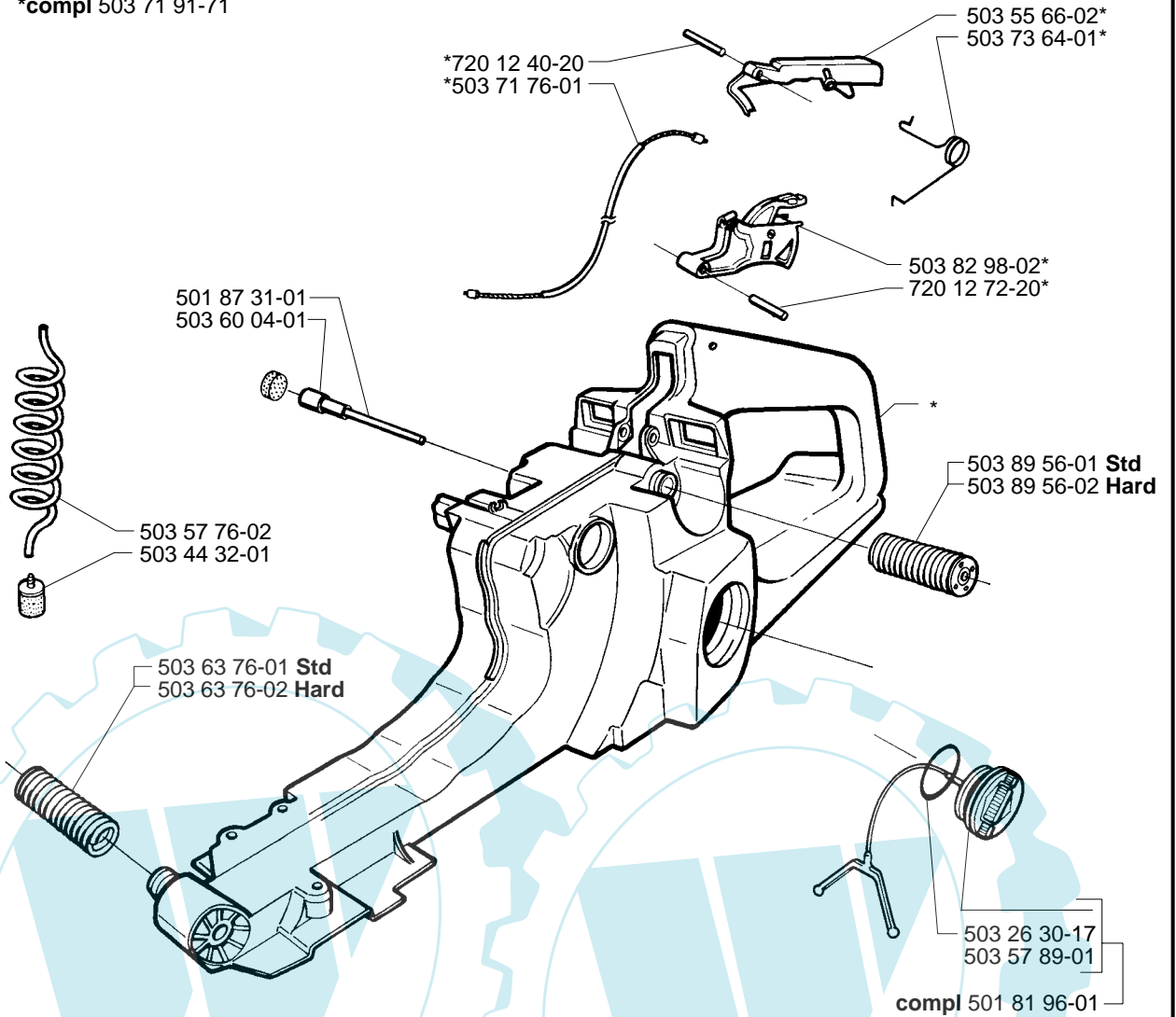


**J**

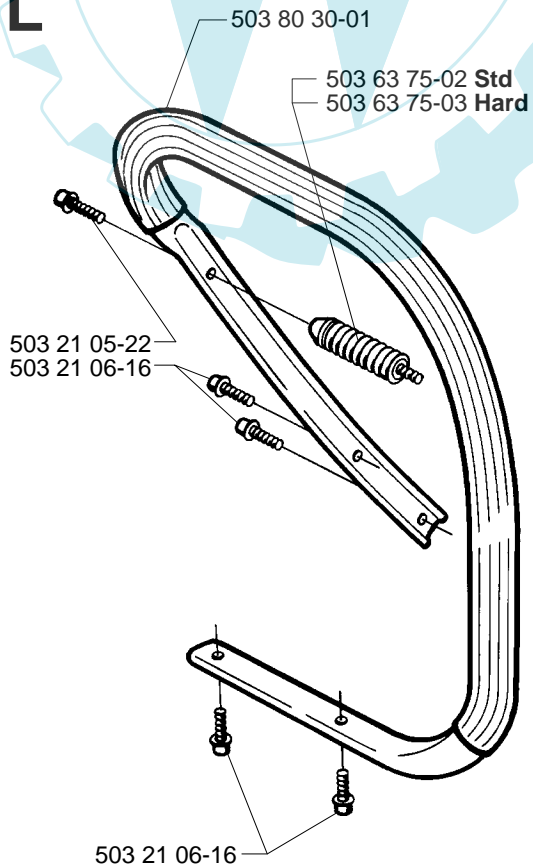


**K**

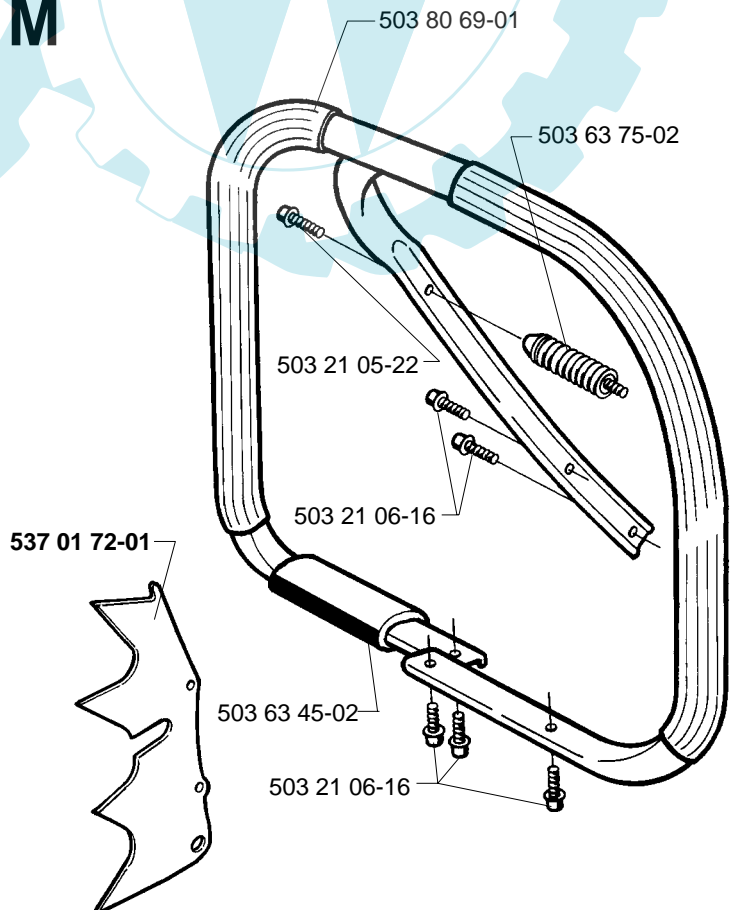
\*compl 503 71 91-71

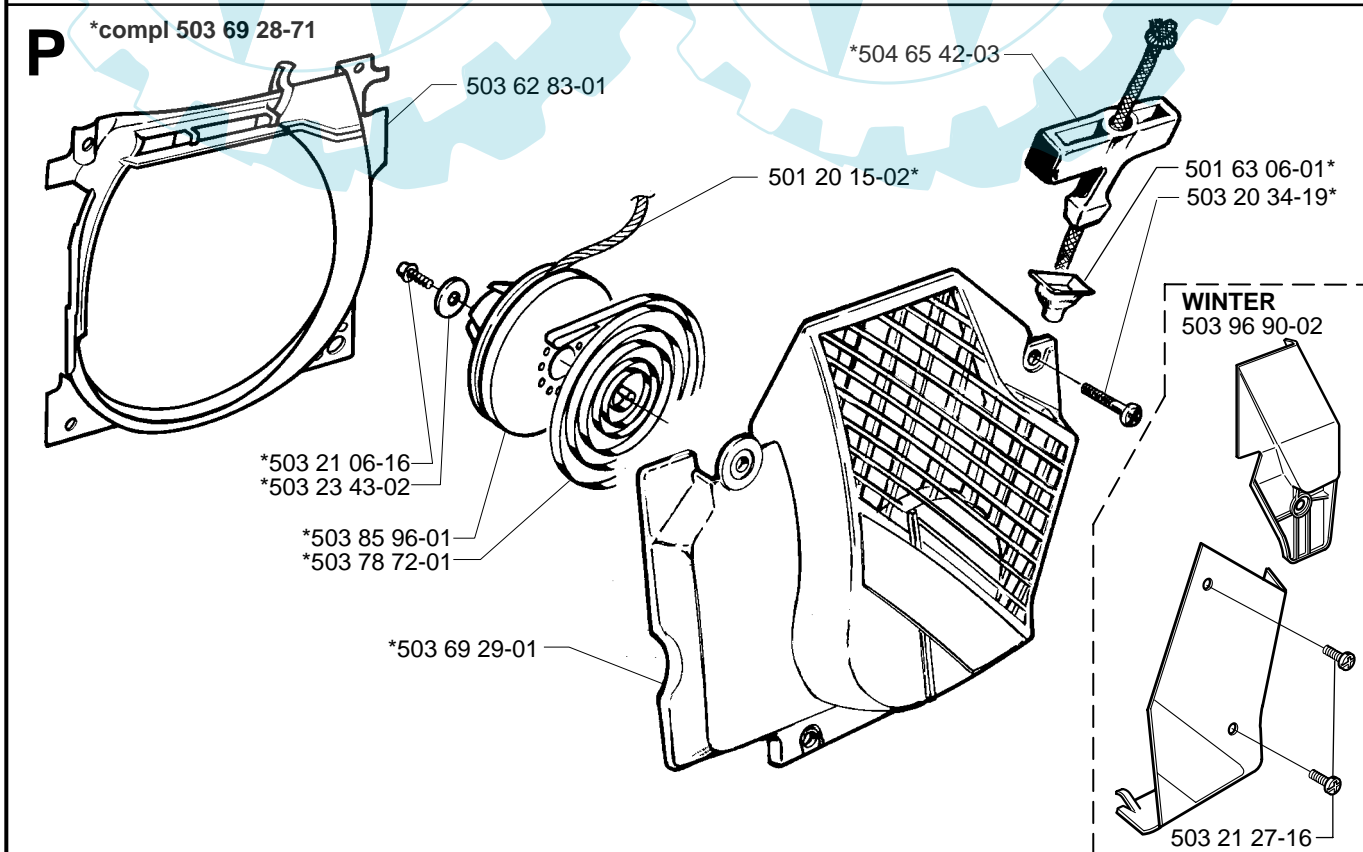
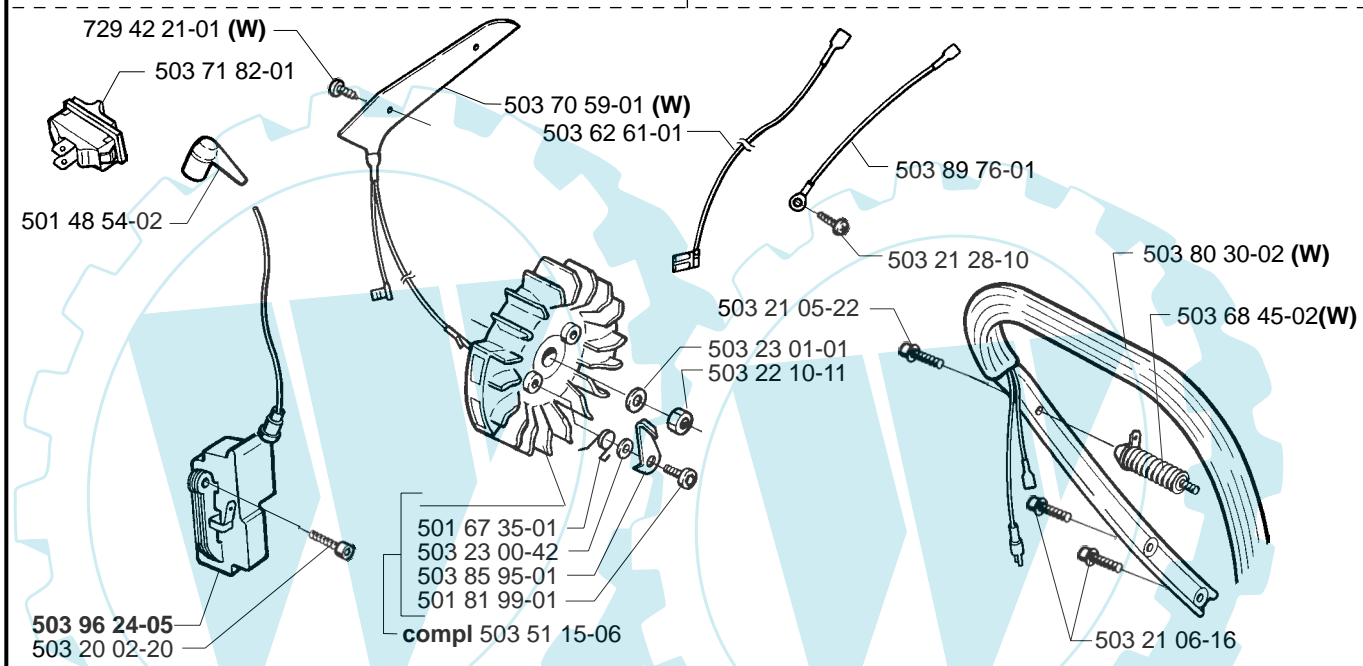
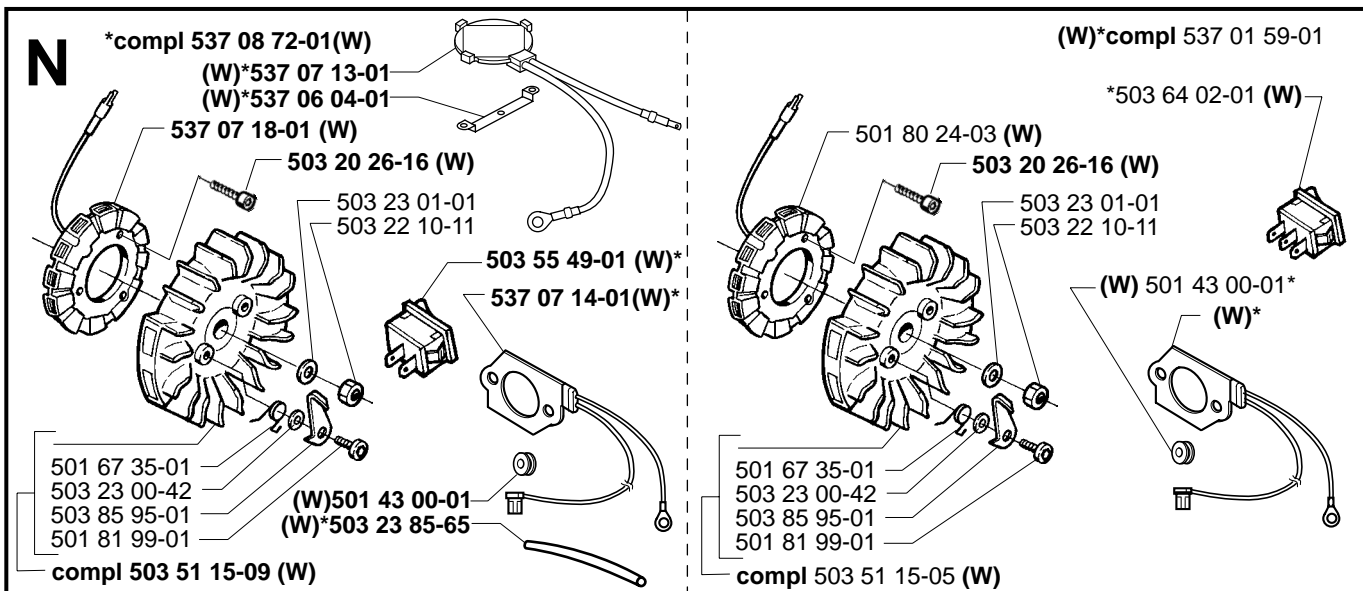


**L**



**M**

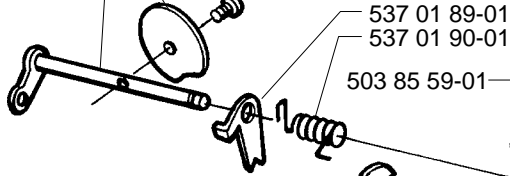
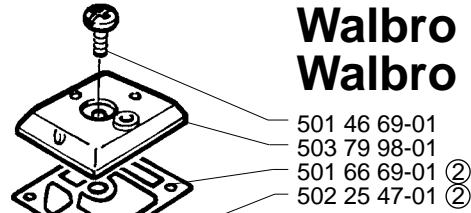




**Q** compl 503 28 18-04  
compl 503 28 18-05 EPA

# Walbro HD-6 B Walbro HD-12 B EPA

501 46 87-01  
503 85 58-01  
537 01 91-01



501 66 61-01  
501 46 84-01  
501 46 85-01

501 66 78-01  
503 80 08-01

501 46 87-01  
503 79 96-01  
503 80 15-01  
503 80 14-01

503 57 42-01  
503 56 34-01

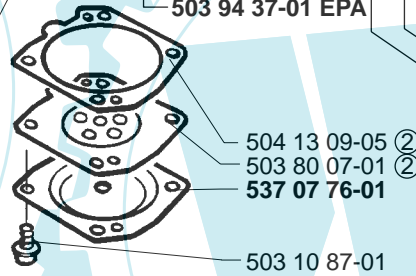
501 66 77-01  
503 80 04-01  
503 94 36-01 EPA  
503 68 82-01  
537 00 33-01 EPA  
503 56 24-01  
503 94 37-01 EPA

503 80 09-01

**(2)** 503 64 78-01  
**Set of gaskets**  
**Dichtungssatz**  
**Jeu de joints**  
**Juego de juntas**  
**Packningssats**

505 52 01-25  
505 31 67-17

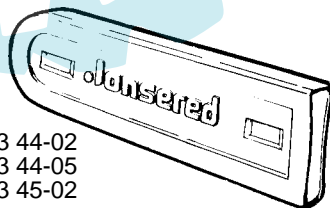
501 66 83-01



503 79 99-01  
503 80 00-01  
530 03 50-15  
503 80 11-01 H  
503 94 39-01 H EPA  
504 02 72-13 L  
503 94 38-01 L EPA

503 91 54-01 EPA  
503 91 39-01 EPA  
503 91 40-01 EPA

## **R** Accessories Zubehöre Accessories Tillbehör



13"-16" 501 83 44-02  
18"-22" 501 83 44-05  
24"-28" 501 83 45-02



503 70 57-09



503 70 57-10

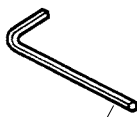


503 70 57-06

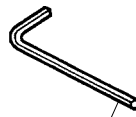


503 70 57-07

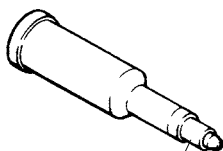
\*compl 503 55 85-01



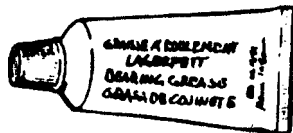
\*503 55 86-01 NV4



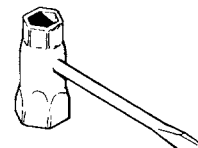
\*503 55 86-02 NV5



\*501 91 14-01



\*503 62 12-01



\*501 69 17-01



503 70 12-03



PARTNUMBER	SQUARE	NOTE	PARTNUMBER	SQUARE	NOTE	PARTNUMBER	SQUARE	NOTE	PARTNUMBER	SQUARE	NOTE
501 20 15-02	P		503 28 90-29	E		503 70 99-01	A		503 91 40-01	Q	EPA
501 27 08-01	J		503 28 90-36	E		503 71 27-01	H		503 91 54-01	Q	EPA
501 43 00-01	N		503 28 90-42	E	N	503 71 53-01	E		503 92 27-01	A	
501 45 27-02	J		503 40 06-06	H		503 71 76-01	K		503 93 24-71	C	
501 45 41-01	J		503 42 67-01	C		503 71 82-01	N		503 93 24-72	C	
501 45 74-02	C		503 43 18-01	H		503 71 91-71	K		503 93 28-01	J	
501 46 69-01	Q		503 43 20-01	C		503 71 93-04	A		503 93 92-71	E	EPA
501 46 84-01	Q		503 43 65-01	A		503 71 97-01	A		503 93 93-72	E	N EPA
501 46 85-01	Q		503 44 32-01	K		503 72 91-77	F	N	503 93 95-71	C	
501 46 87-01	Q		503 51 15-05	N		503 73 44-01	J		503 94 36-01	Q	EPA
501 48 54-02	N		503 51 15-06	N		503 73 51-01	B		503 94 37-01	Q	N EPA
501 51 72-01	AB		503 51 15-09	N	N	503 73 54-01	H		503 94 38-01	Q	EPA
501 54 41-02	C		503 52 13-01	C		503 73 64-01	K		503 94 39-01	Q	EPA
501 59 80-02	C		503 52 15-01	C		503 74 43-01	C		503 96 24-05	N	N
501 61 58-01	C		503 53 92-01	C		503 74 44-01	C		503 96 45-01	H	
501 63 06-01	P		503 55 22-01	E		503 74 93-01	J		503 96 52-71	E	
501 66 61-01	Q		503 55 49-01	N	N	503 75 11-03	A		503 96 70-01	J	
501 66 69-01	Q	2	503 55 66-02	K		503 75 18-01	J		503 96 90-02	P	
501 66 77-01	Q		503 55 85-01	R		503 75 22-01	A		503 98 74-01	A	N
501 66 78-01	Q		503 55 86-01	R		503 75 24-01	C		503 99 83-01	A	N
501 66 83-01	Q		503 55 86-02	R		503 75 61-02	C		504 02 72-13	Q	
501 67 35-01	N		503 56 00-04	H		503 76 29-02	AB	N	504 13 09-05	Q	2
501 68 68-01	J		503 56 24-01	Q		503 76 52-01	G		504 30 00-26	C	
501 69 17-01	R		503 56 34-01	Q		503 76 53-01	G		504 65 42-03	P	
501 80 24-03	N		503 57 42-01	Q		503 76 53-02	G		505 27 57-19	J	
501 81 57-01	J		503 57 76-02	K		503 76 54-02	G		505 30 36-61	C	
501 81 96-01	JK		503 57 89-01	JK		503 76 64-02	G	N	505 31 67-17	Q	
501 81 99-01	N		503 60 04-01	K		503 76 65-02	G	N	505 52 01-25	Q	
501 83 44-02	R		503 62 12-01	R		503 77 43-01	C		530 03 50-15	Q	
501 83 44-05	R		503 62 49-01	C		503 77 52-01	A		537 00 33-01	Q	N EPA
501 83 45-02	R		503 62 61-01	N		503 77 58-02	E	N	537 00 87-02	A	
501 87 31-01	K		503 62 64-73	E	N	503 77 59-01	E	1	537 01 37-71	J	N
501 87 53-03	A		503 62 68-77	J	N	503 77 91-01	F		537 01 59-01	N	N
501 91 14-01	R		503 62 72-01	J	1	503 78 72-01	P		537 01 68-01	A	N
502 25 47-01	Q	2	503 62 73-04	J	N	503 79 27-01	A		537 01 71-01	J	N
503 10 87-01	Q		503 62 75-01	H		503 79 96-01	Q		537 01 72-01	M	N
503 20 02-12	AJ		503 62 83-01	P		503 79 98-01	Q		537 01 74-01	A	N
503 20 02-16	GJ		503 62 84-01	J		503 79 99-01	Q		537 01 89-01	Q	
503 20 02-20	N		503 63 45-02	M		503 80 00-01	Q		537 01 90-01	Q	
503 20 02-30	J	N	503 63 75-02	LM		503 80 04-01	Q		537 01 91-01	Q	
503 20 06-08	G	N	503 63 75-03	L		503 80 07-01	Q	2	537 02 44-01	J	N
503 20 08-32	J		503 63 76-01	K		503 80 08-01	Q		537 04 03-01	J	
503 20 25-12	A		503 63 76-02	K		503 80 09-01	Q		537 04 29-01	J	N
503 20 26-16	N	N	503 63 79-75	J	N	503 80 11-01	Q		537 04 41-02	A	N
503 20 34-19	P		503 64 02-01	N		503 80 14-01	Q		537 06 04-01	N	N
503 20 34-25	D		503 64 47-01	C		503 80 15-01	Q		537 07 13-01	N	N
503 21 05-22	LMN		503 64 72-01	C	1COMPL	503 80 24-01	J		537 07 14-01	N	N
503 21 06-16	LMNP		503 64 78-01	Q	2COMPL	503 80 30-01	L		537 07 18-01	N	N
503 21 27-16	P		503 64 79-01	J		503 80 30-02	N		537 07 20-01	A	N
503 21 28-10	ABJN		503 66 53-01	H		503 80 69-01	M		537 07 20-71	A	N
503 22 00-01	A		503 66 74-01	H	EPA	503 81 13-01	C		537 07 76-01	Q	N
503 22 10-11	N		503 67 86-01	J		503 81 30-01	C		537 07 94-01	A	N
503 22 24-01	J	N	503 68 41-01	H		503 81 45-01	H		537 07 95-01	A	N
503 22 65-03	H		503 68 45-02	N		503 81 45-02	H		537 08 72-01	N	N
503 23 00-04	C		503 68 82-01	Q		503 81 45-03	H		537 08 92-01	J	N
503 23 00-42	N		503 69 12-71	E		503 82 98-02	K		537 09 54-01	J	N
503 23 00-59	C		503 69 14-71	E		503 83 81-02	A		720 12 40-20	K	
503 23 00-63	A	N	503 69 28-71	P	N	503 84 01-01	C		720 12 72-20	K	
503 23 00-66	A	N	503 69 29-01	P		503 84 61-01	J		724 12 87-59	G	N
503 23 01-01	N		503 69 60-01	D		503 85 58-01	Q		725 53 05-55	H	
503 23 43-02	P		503 69 91-02	D		503 85 59-01	Q		725 53 29-55	J	N
503 23 51-08	E		503 70 08-06	D		503 85 73-01	J		725 53 29-56	C	
503 23 85-65	N	N	503 70 11-01	H		503 85 95-01	N		725 53 31-55	J	
503 25 56-01	EF	N	503 70 12-03	AR	N	503 85 96-01	P		725 53 33-55	E	
503 26 03-01	J		503 70 51-01	J		503 89 56-01	K		725 53 70-55	G	
503 26 30-17	JK		503 70 57-06	R	N	503 89 56-02	K		729 42 21-01	N	
503 26 30-19	F		503 70 57-07	R	N	503 89 70-01	AB		737 43 12-00	E	
503 27 21-01	C		503 70 57-09	R	N	503 89 76-01	N		738 22 02-25	F	
503 28 18-04	HQ	N	503 70 57-10	R	N	503 90 99-01	E	1	740 48 07-02	A	N
503 28 18-05	HQ	N EPA	503 70 59-01	N		503 91 39-01	Q	EPA			

1 = 503 64 72-01  
2 = 503 64 78-01

Set of gaskets  
Dichtungssatz  
Jeu de joints  
Juego de juntas  
Packningssats

N = New part  
Neues teil  
Nouvelle piece  
Nueva pieza  
Ny detalj

EPA = Environmental Protection Agency